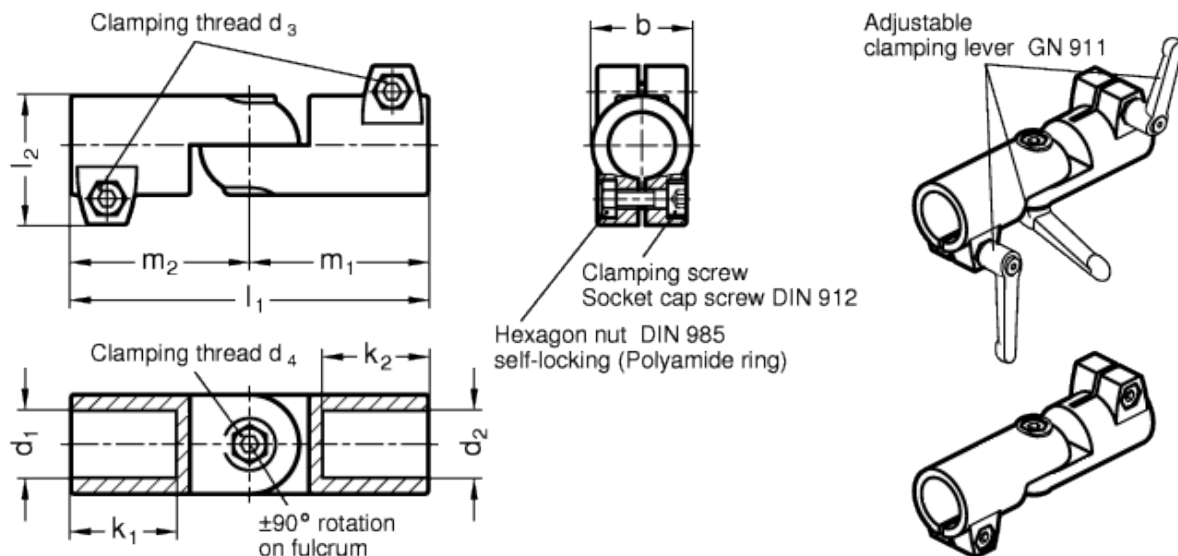


# GN 286

Pivoting connecting clamps



## technical informations

**Material**  
Aluminium.

## Finish

- Version SW: RAL 9005 black colour, matte finish, epoxy resin coating.
- Version BL: blank, matte shot-blasted.

## Types

- Type S: steppless adjustment.
- Type T: adjustment by 15°-division (serration).

## Clamping screws

Identification no. 2: with three AISI 304 stainless steel-clamping screws DIN 912 and nuts DIN 985.

### Assembly

The standard clamping bolts are socket cap screws DIN 912, supplied assembled. They can be replaced by clamping kits GN 911 (description see table of dimensions).

### Features and applications

The swivel clamp connector joints GN 286 are an assembly of two swivel clamp connectors GN 276.

For the type with a stepless adjustment (Type S) swivel clamp connectors with a centring step are used. Since the latter have an identical swivel width "b", all bores " $d_1$  /  $d_2$ " can be combined as required.

The clamping bore is machined and designed for construction tubings GN 990 or DIN 2391, DIN 2395 and DIN 2462 respectively.

### Accessories

- Tubings [GN 990](#).
- Clamping kits [GN 911](#) (clamping handles GN 300.1 with distance bushing).

Standard Elements	Main dimensions	Clamping kits	Weight
-------------------	-----------------	---------------	--------



GN 286-B40-B40-T-2-*	B40	B40	65	M 10	M 10	74	74	230	77.5	115	115	GN 911-M10-55	GN 911-M10-63	1590
GN 286-B40-B42-T-2-*	B40	B42	65	M 10	M 10	74	74	230	77.5	115	115	GN 911-M10-55	GN 911-M10-63	1558
GN 286-B40-B45-T-2-*	B40	B45	65	M 10	M 10	74	74	230	77.5	115	115	GN 911-M10-55	GN 911-M10-63	1558
GN 286-B40-B48-T-2-*	B40	B48	65	M 10	M 10	74	74	230	77.5	115	115	GN 911-M10-55	GN 911-M10-63	1558
GN 286-B42-B40-T-2-*	B42	B40	65	M 10	M 10	74	74	230	77.5	115	115	GN 911-M10-55	GN 911-M10-63	1560
GN 286-B40-B50-T-2-*	B40	B50	65	M 10	M 10	74	74	230	77.5	115	115	GN 911-M10-55	GN 911-M10-63	1558
GN 286-B42-B42-T-2-*	B42	B42	65	M 10	M 10	74	74	230	77.5	115	115	GN 911-M10-55	GN 911-M10-63	1590
GN 286-B42-B45-T-2-*	B42	B45	65	M 10	M 10	74	74	230	77.5	115	115	GN 911-M10-55	GN 911-M10-63	1520
GN 286-B42-B48-T-2-*	B42	B48	65	M 10	M 10	74	74	230	77.5	115	115	GN 911-M10-55	GN 911-M10-63	1475
GN 286-B45-B40-T-2-*	B45	B40	65	M 10	M 10	74	74	230	77.5	115	115	GN 911-M10-55	GN 911-M10-63	1510
GN 286-B42-B50-T-2-*	B42	B50	65	M 10	M 10	74	74	230	77.5	115	115	GN 911-M10-55	GN 911-M10-63	1510
GN 286-B45-B42-T-2-*	B45	B42	65	M 10	M 10	74	74	230	77.5	115	115	GN 911-M10-55	GN 911-M10-63	1510
GN 286-B45-B45-T-2-*	B45	B45	65	M 10	M 10	74	74	230	77.5	115	115	GN 911-M10-55	GN 911-M10-63	1590
GN 286-B45-B48-T-2-*	B45	B48	65	M 10	M 10	74	74	230	77.5	115	115	GN 911-M10-55	GN 911-M10-63	1430
GN 286-B45-B50-T-2-*	B45	B50	65	M 10	M 10	74	74	230	77.5	115	115	GN 911-M10-55	GN 911-M10-63	1510
GN 286-B48-B40-T-2-*	B48	B40	65	M 10	M 10	74	74	230	77.5	115	115	GN 911-M10-55	GN 911-M10-63	1510
GN 286-B48-B42-T-2-*	B48	B42	65	M 10	M 10	74	74	230	77.5	115	115	GN 911-M10-55	GN 911-M10-63	1510
GN 286-B48-B45-T-2-*	B48	B45	65	M 10	M 10	74	74	230	77.5	115	115	GN 911-M10-55	GN 911-M10-63	1510
GN 286-B48-B48-T-2-*	B48	B48	65	M 10	M 10	74	74	230	77.5	115	115	GN 911-M10-55	GN 911-M10-63	1590
GN 286-B48-B50-T-2-*	B48	B50	65	M 10	M 10	74	74	230	77.5	115	115	GN 911-M10-55	GN 911-M10-63	1370
GN 286-B50-B40-T-2-*	B50	B40	65	M 10	M 10	74	74	230	77.5	115	115	GN 911-M10-55	GN 911-M10-63	1510
GN 286-B50-B42-T-2-*	B50	B42	65	M 10	M 10	74	74	230	77.5	115	115	GN 911-M10-55	GN 911-M10-63	1510
GN 286-B50-B45-T-2-*	B50	B45	65	M 10	M 10	74	74	230	77.5	115	115	GN 911-M10-55	GN 911-M10-63	1510
GN 286-B50-B48-T-2-*	B50	B48	65	M 10	M 10	74	74	230	77.5	115	115	GN 911-M10-55	GN 911-M10-63	1510
GN 286-B50-B50-T-2-*	B50	B50	65	M 10	M 10	74	74	230	77.5	115	115	GN 911-M10-55	GN 911-M10-63	1590

\* Complete the description of the standard item needed by adding the finish of the connector clamps: BL (blank) or SW (black).



STANDARD MACHINE ELEMENTS WORLDWIDE